



Kalimar®

Since 1952

LENS
INSTRUCTION
MANUAL

Your Kalimar 500mm Preset Lens is fully automatic and incorporates not only computer optical design but also the latest optical multi-coating techniques. The process of multi-coating assures virtually flare free photographs even under adverse lighting conditions resulting in crisp, high contrast pictures. Kalimar Preset Lenses are designed to retain a full range of exposure, automation and metering capabilities of the cameras on which they are mounted.

MOUNTING THE LENS

Your Kalimar Preset Lens utilizes a universal mounting ring (T-mt) which allows your lens to fit practically all SLR cameras manufactured since 1960. Simply attach the specific T-mt for your style camera to the actual preset lens and then mount to your camera body in the same way as your existing lens, which your camera is equipped. Also remove your preset lens the same way as your existing lens and consult your camera instruction manual for further details. After mounting your T-mt adapter to the lens, you may have to adjust the T-mounts so that the top of the lens faces upward. If this is necessary, loosen the 3 small screws located on the T-mt ring and turn the lens until it is in the proper usable position. Make sure to retighten the 3 screws after you make the adjustments.

SETTING THE F STOP

Rotate the diaphragm ring to set the desired F stop at the index mark on the lens barrel. The diaphragm can be set to full stops or to any position in-between. Proper F stop is chosen as indicated by the camera's built-in exposure meter or an independent meter; or may be dictated by special requirements, such as controlling the depth of field.

METER COUPLING

Meter coupling on all preset lenses is done manually. In order to meter, close down the lens aperture by rotating the ring marked O↔C (open↔close) to the C position. Now meter your camera by adjusting either your camera shutter speed, lens aperture, or both.

DEPTH OF FIELD

Kalimar lenses are provided with a depth of field scale. Depth of field is indicated for all distances and F stop settings on the double scale of numbers engraved on both sides of the red center reference line. In order to fully understand usage of depth of field, please refer to your camera owner manual or any basic 35mm techniques guide.

FOCUSING THE LENS

In order to increase the amount of light coming into the viewfinder (which makes focusing easier), rotate the ring marked O↔C to the O (open position), and then look through the viewfinder of your camera and rotate the focusing ring to get a sharp and clear image. Due to the optical properties of long telephoto lenses, it will be more difficult to see the image snap into focus with telephoto lenses or settings. Be sure to rotate the O↔C ring back to the C (closed position) before metering or taking pictures.

USING THE VIEWFINDER WITH TELEPHOTO LENSES

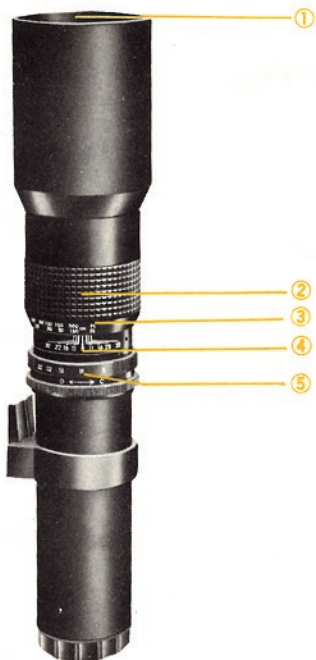
The effectiveness of different types of focusing screens varies with the focal length and maximum aperture of the lens. The rangefinder or microgrid prisms built into the ground glass do not work as well with longer focal length lenses as they do with the normal camera lens and most wide-angle lenses, and may blackout partially or fully "the center focusing spot." When such a condition exists, focusing is best done on the ground glass portion of the viewing screen. On some SLR cameras, long telephoto lenses appear to produce a cut-off image in the upper corners or along the entire upper edge of the viewfinder. Actually such viewing cut-off is caused by the size of the camera's mirror which is adequate for the shorter focal length lenses only. The exposed slide or negative will be unaffected by this viewing deficiency.

PROPER CARE OF LENS

Your Kalimar lens should always be capped to protect it when not in use. Like other precision optics; it should never be simply wiped with tissues since this may damage the surface with dust on the lens. Use a soft brush to clean the lens surface or polish very gently in a circular motion with high quality, moist lens tissue. Use lens cleaning fluid to moisten tissue sparingly and only when necessary, by applying one or two drops on the lens tissue. After the lens surface has dried, clean lens with a dry tissue and blow away other particles with your soft brush.

SPECIFICATIONS

Optical Construction	:	4 groups; 4 elements
Angle of View	:	5°
Aperture Range	:	F: 8.0-32
Min. Focus Dist.	:	10m
Coating	:	Multi
Length	:	298mm
Weight	:	640g
Filter Size	:	67mm
T-Mounts Available	:	Pentax U, Pentax PK, Canon, Nikon, Minolta, Olympus, Konica, Yashica, Fujica, EOS, Maxxum, Nikon AF.



**ONE-TOUCH AUTOMATIC
MULTICOATED
SUPER TELEPHOTO LENS
500mm F8.0**

- | | |
|-------------------|---|
| ① Name Ring | ④ Index for distance
and Diaphragm Scale |
| ② Focusing Ring | ⑤ Diaphragm Ring |
| ③ Diaphragm Scale | |

SPECIFICATIONS

Aperture Range: f8.0-32
Min/Max. Focus Dist: 10M
to Infinity

Angle of view: 5°
Elements: 4 groups 4 elements
Filter Size: 67mm screw-in

Printed in Korea

OWNER: Please fill out and keep this stub. Enclose it when sending your equipment for service.

Owner's Name

Owner's Address

.....

Kalimar Model No.

Serial No.

Dealer's Name

Dealer's Address

.....

Date of Purchase

NOTE: The limited warranty registration card must be filled out and mailed within 10 days after date of purchase. This limited warranty does not cover damages caused by abuse or mishandling, fire, flood and other causes beyond our control. Nor is it effective where persons other than authorized Kalimar engineers have attempted repairs or modifications.

In cases where this limited warranty does not apply, Kalimar Inc. will send you an estimate of the repair and replacement costs.

**LIMITED
WARRANTY REGISTRATION**

Fill out, detach and mail this card within 10 days after date of purchase.

Date 19.....

Warranty

I purchased the Kalimar Model No.

Serial No. Date of Purchase

Register my name as owner of this equipment, entitled to the warranty provisions stated on coupon attached.

My Name
(please print)

Address
CITY STATE ZIP CODE

Dealer's Name

Dealer's Address



PLACE
STAMP
HERE

Kalimar*inc.*

**622 Goddard Avenue
Spirit of St. Louis Airport
Chesterfield, Mo. 63017-1193
U.S.A.**

Warranty

This Kalimar equipment has been thoroughly tested and inspected before shipment. Purchased from an authorized dealer it is guaranteed from defects of material and workmanship from the date of original purchase for 10 Years on Lenses and Optics, 3 Years on Cameras, 5 Years on Bags, Tripods, and Accessories.

Under this limited warranty, we agree to replace or repair free of charge any part or parts which have been found to be defective in original material or workmanship.

Should you require in-warranty service, send your equipment directly to Kalimar Inc., 622 Goddard Avenue, Spirit of St. Louis Airport, Chesterfield, Mo 63017-1193, enclosing this stub and a check or money order in the amount of \$5.⁰⁰ to cover handling charges and return postage. Pack the equipment well and insure.

Printed in Korea



Kalimar[®]

Since 1952